

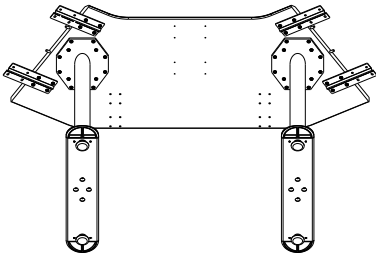

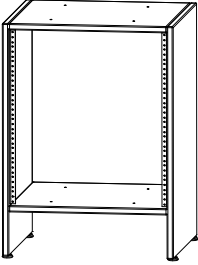
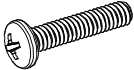
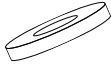
# ULTIMATE S U P P O R T<sup>®</sup>

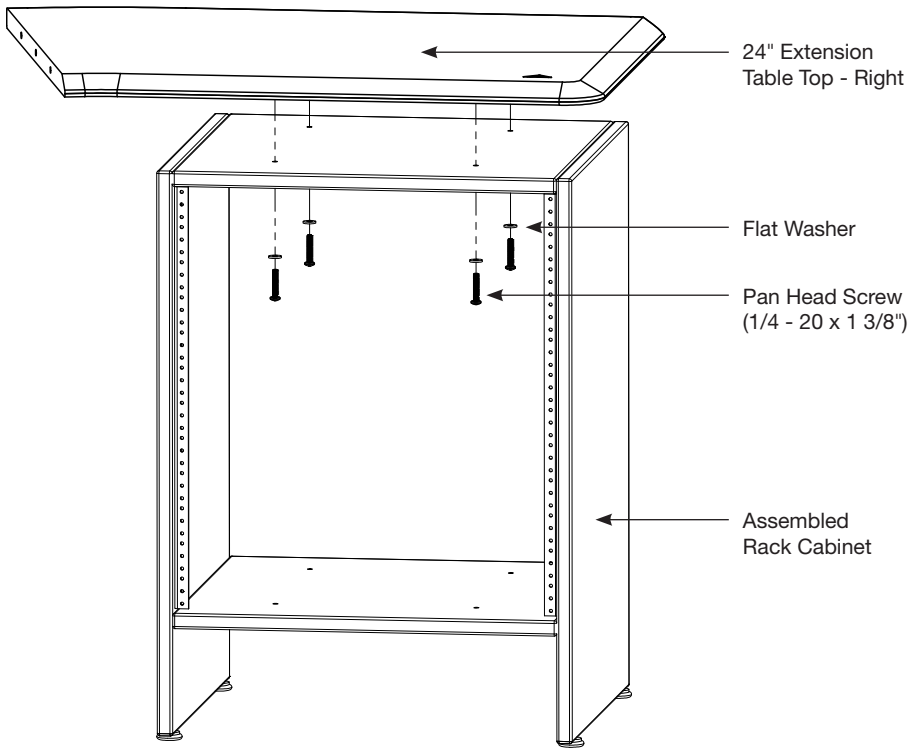
## Instructions for Assembling Right 24" Extension and 12 Space Rack Cabinet with Core Table

### Included Parts with the 24" Extension - BOX 6

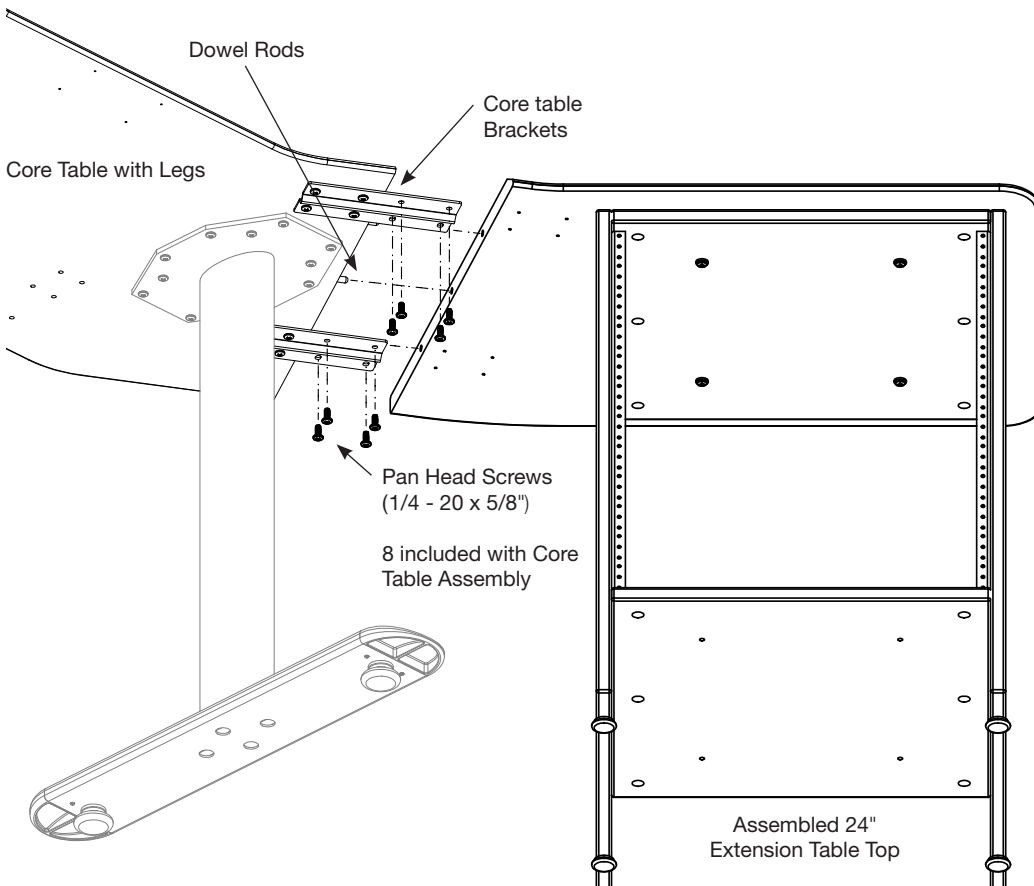
	24" Extension Table Top - Right	<b>x1</b>
--	---------------------------------	-----------

### Additional Parts Needed from other boxes - BOX 1, 2 & 9

	Assembled core table with legs (Instructions for assembling core table and legs are included in box 1 & 2)	<b>x1</b>
	1/4 - 20 x 5/8" Pan Head Screw (Included with core table assembly, box 1)	<b>x8</b>
	Assembled rack cabinet (Instructions for assembling rack cabinet are included in box 9)	<b>x1</b>
	1/4 - 20 x 1 3/8" Pan Head Screw (Included with rack cabinet assembly, box 9)	<b>x4</b>
	Flat Washer (Included with rack cabinet assembly, box 9)	<b>x4</b>



Stand rack cabinet up, place right 24" extension table top on rack cabinet and line-up holes. Attached table top and cabinet together with four pan head screws (1/4 - 20 x 1 3/8") and flat washers.



Slide the 24" extension onto the three dowel rods and line-up holes with the two brackets on the core table. Use the eight pan head screws (1/4 - 20 x 5/8") that came with the core table assembly (Box 1) to attach 24" extension.