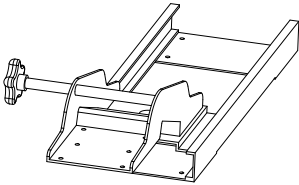
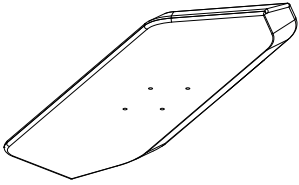
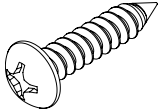


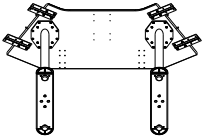
# ULTIMATE S U P P O R T<sup>®</sup>

## Instructions for Assembling Keyboard Tray

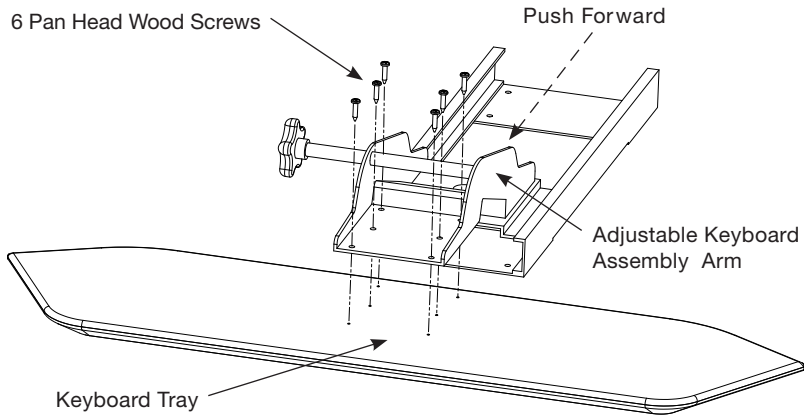
### Included Parts with the Keyboard Tray - BOX 5

	Nucleus Keyboard Tray Assembly	<b>x1</b>
	Keyboard Tray	<b>x1</b>
	#8 x .75" Pan Head Wood Screw	<b>x14</b>

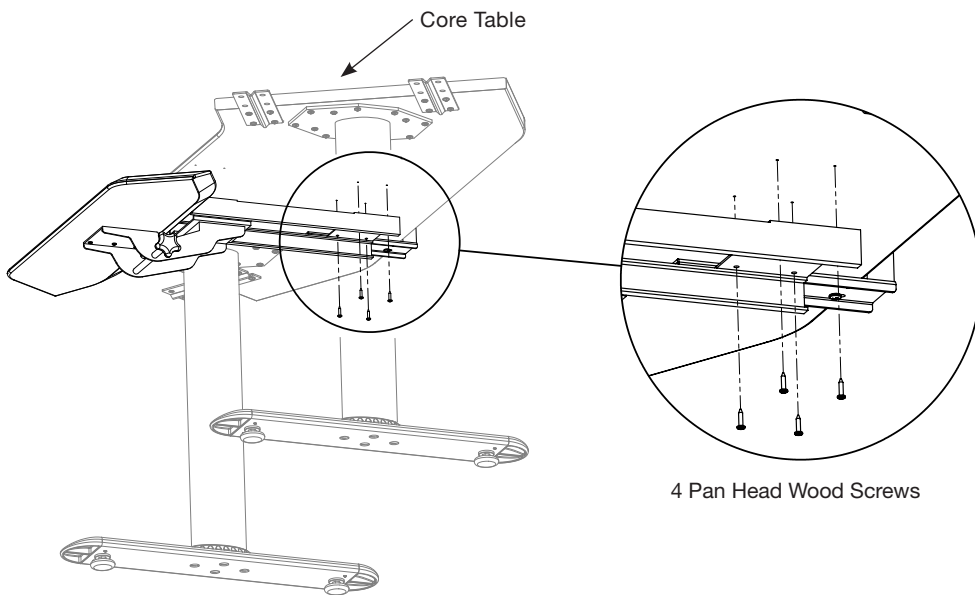
### Additional Parts Needed from other boxes - BOX 1 & 2

	Assembled core table with legs (Instructions for assembling core table and legs are included in box 1 & 2)	<b>x1</b>
---	--	-----------

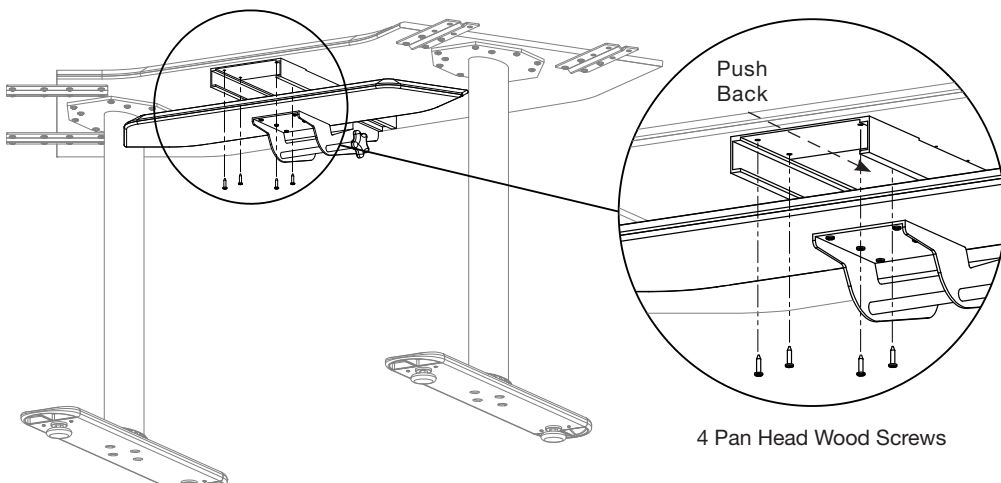
# ULTIMATE SUPPORT®



Push forward the adjustable keyboard assembly arm. Line-up holes on the adjustable keyboard assembly arm with keyboard tray. Use six pan head wood screws to attach.



Keep keyboard tray pushed forward. Line-up the back four center holes of the core table with the back holes of the keyboard tray assembly. Use four pan head wood screws to attach.



Push keyboard tray back to access the other four keyboard tray assembly holes in the front. Use four pan head wood screws to finish attaching keyboard tray assembly to core table. You may need to loosen back screws to line-up front screw holes, then tighten screws again.